

# GLAZING

**THREE LAYERS OF POLYCARBONATE:  
DOUBLE DOMES & ONE FLAT PANEL**

## COLOR/ TINT OPTIONS

Visible Light Transmission

CLEAR	92%
DARK BRONZE	25%
WHITE: Standard	23%
WHITE: High Light Transmission	74%
LIGHT GRAY	50%
DARK GRAY (n/a as outer dome)	25%

OUTER DOME:

INNER DOME:

INNER MOST FLAT:

## FRAME FINISH

MILL FINISH

BRONZE ANODIZED

CLEAR ANODIZED

WHITE POWDER COAT

## SKYLIGHT DIMENSION(S)

**INSIDE SKYLIGHT  
FRAME DIMENSION**

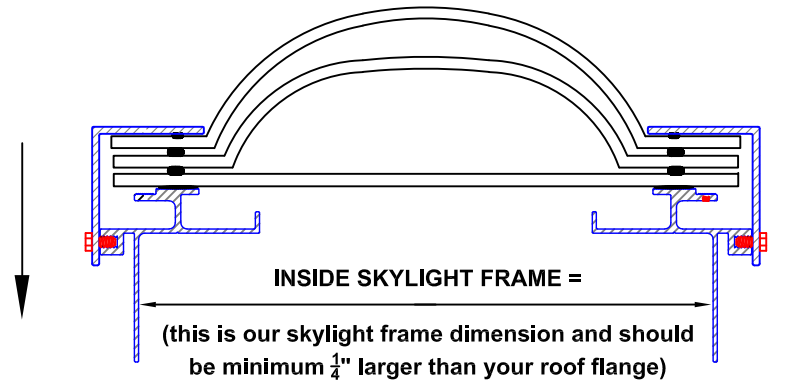
OR

**OUTSIDE VERTICAL  
"ROOF FLANGE"**

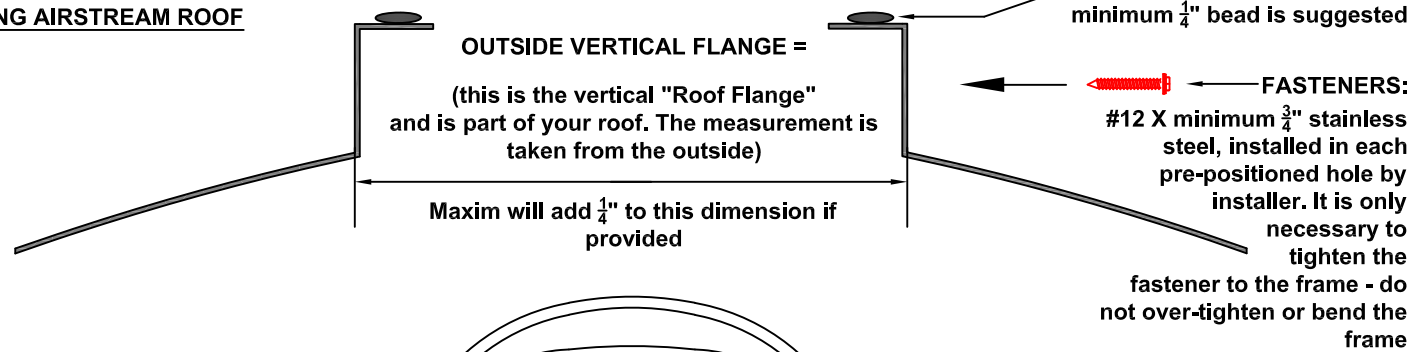
SQUARE SKYLIGHT :

RECTANGULAR SKYLIGHT :

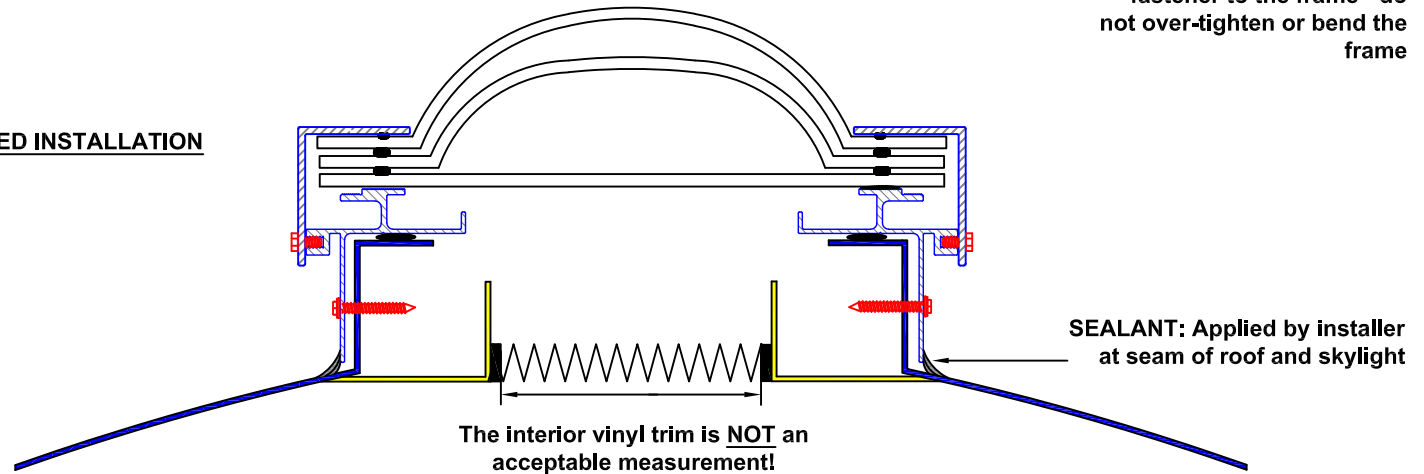
### SKYLIGHT ASSEMBLY



### EXISTING AIRSTREAM ROOF



### FINISHED INSTALLATION



APPROVAL SIGNATURE & DATE



1630 Terre Colony Court Dallas, Texas 75214  
P: 888.222.4898 P: 214.905.2021 F: 214.905.2024