

INSULATED GLASS

Tempered/ Tempered

Tempered/ Laminated PVB

Tempered/ Laminated SGP

DuPont SentryGlas® Interlayer Miami-Dade NOA: 17-0808.02

LoE COATING & TINT OPTIONS

LoE³366/Argon (green tint)

LoE366/Argon: U = .24, SHGC = .27, VLT = 66%

LoE³340/Argon (blue tint)

LoE340/Argon: U = .25, SHGC = .18, VLT = 39%

Bronze Tint/Argon

Bronze Tint/Argon: U = .45, SHGC = .62, VLT = 61%

Gray Tint/Argon

Gray Tint/Argon: U = .45, SHGC = .60, VLT = 57%

**White Laminated, Obscure, Solar Reflective, or many other glass options available up request

FRAME FINISH OPTIONS

Mill Finish

Bronze Anodized

Clear Anodized

White Powdercoat

Other:

SKYLIGHT DIMENSION

Existing Curb

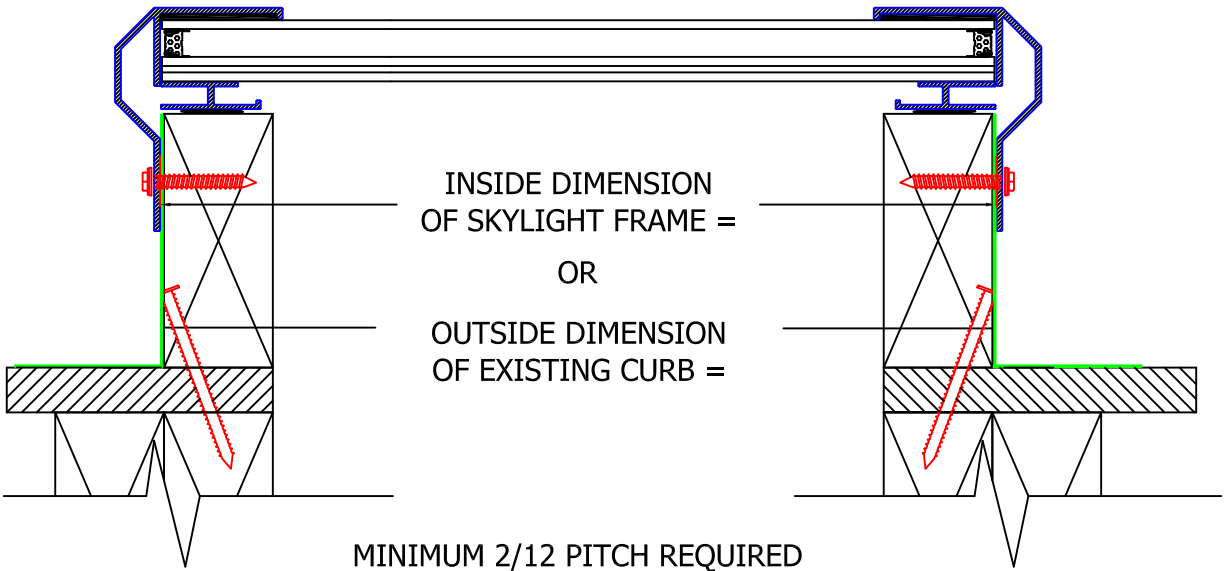
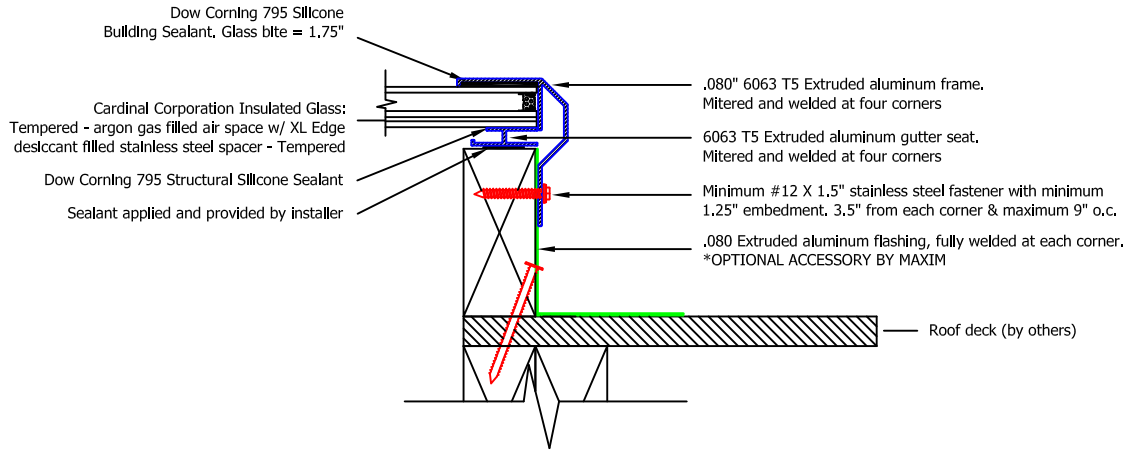
OR

Inside Skylight Frame

QTY =

SIZE =

MODEL GTCM - INSULATED GLASS CURB MOUNT



APPROVAL SIGNATURE & DATE



1630 Terre Colony Court Dallas, Texas 75214
P: 888.222.4898 P: 214.905.2021 F: 214.905.2024