

PLASTIC DOME MATERIAL

POLYCARBONATE (UV Enhanced)

(choose for EXCELLENT impact resistance)

100% IMPACT MODIFIED ACRYLIC

(choose for EXCELLENT impact resistance & units exceeding 36sf)

DOME TINT OPTIONS

Clear/ Bronze:

Bronze/ Clear:

Bronze/ Bronze:

Standard White/ Clear:

Clear/ Standard White:

High Light Trans White/ Clear:

Clear/ High Light Trans White:

Other:

***Verify Visible Light Transmission Values of Dome Configuration*

FRAME FINISH OPTIONS

Mill Finish

Bronze Anodized

Clear Anodized

White Powdercoat

Other:

SKYLIGHT DIMENSION

Low Profile (3 1/2")

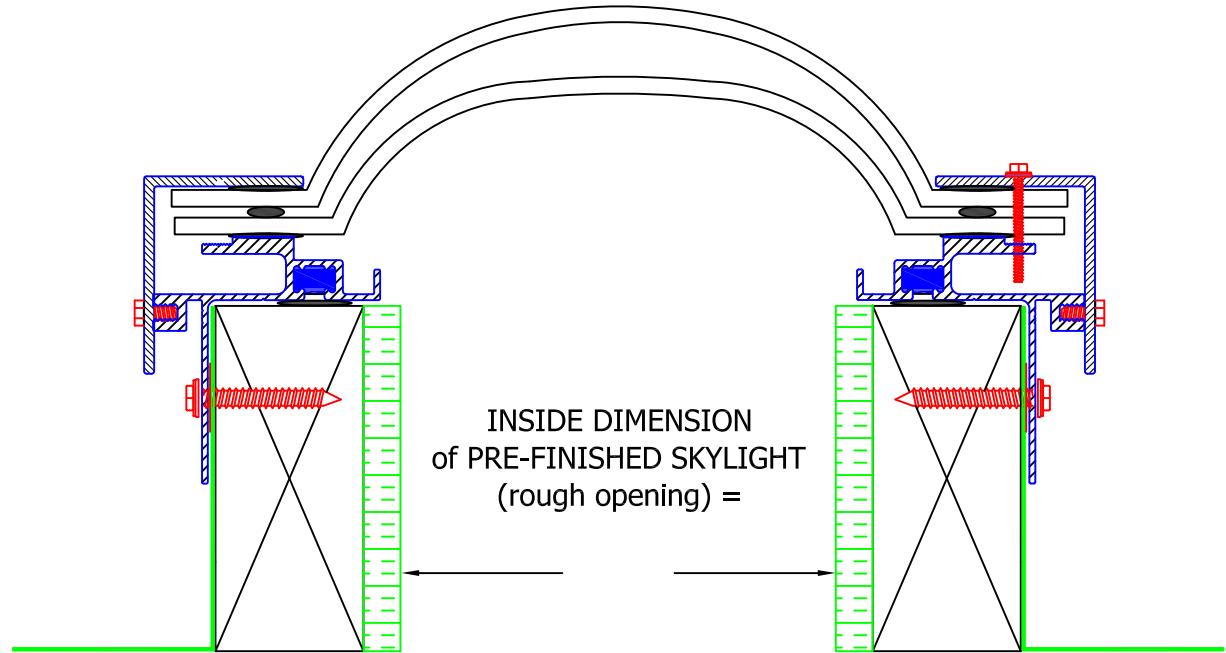
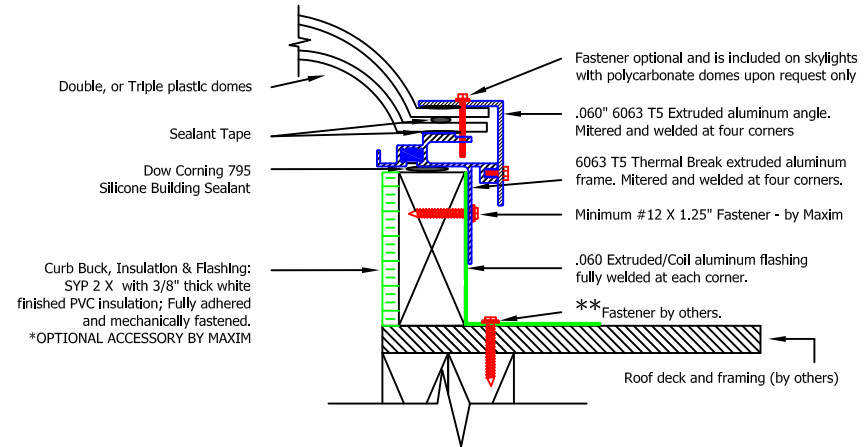
OR

High Profile (5 1/4")

QTY =

SIZE =

MODEL TISF - PRE-FINISHED SELF FLASHING & DOUBLE DOMES



APPROVAL SIGNATURE & DATE



1630 Terre Colony Court Dallas, Texas 75214
 P: 888.222.4898 P: 214.905.2021 F: 214.905.2024