

GLAZING

**THREE LAYERS OF POLYCARBONATE:
DOUBLE DOMES & ONE FLAT PANEL**

COLOR/ TINT OPTIONS

Visible Light Transmission

CLEAR	92%
DARK BRONZE	25%
WHITE: Standard	23%
WHITE: High Light Transmission	74%
LIGHT GRAY	50%
DARK GRAY (n/a as outer dome)	25%

OUTER DOME:

INNER DOME:

INNER MOST FLAT:

FRAME FINISH

MILL FINISH

BRONZE ANODIZED

CLEAR ANODIZED

WHITE POWDER COAT

SKYLIGHT DIMENSION(S)

**INSIDE SKYLIGHT
FRAME DIMENSION**

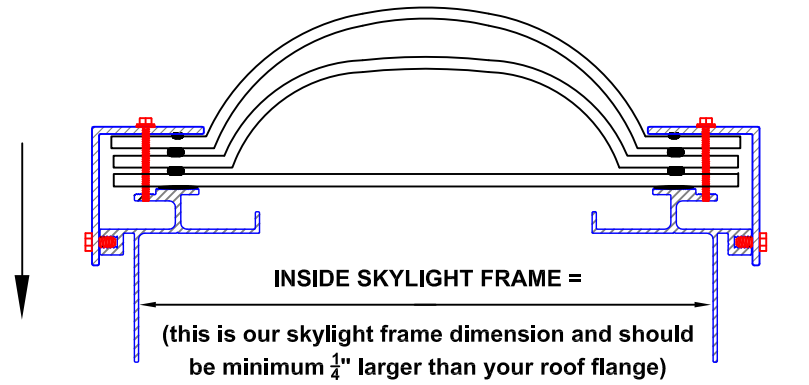
OR

**OUTSIDE VERTICAL
"ROOF FLANGE"**

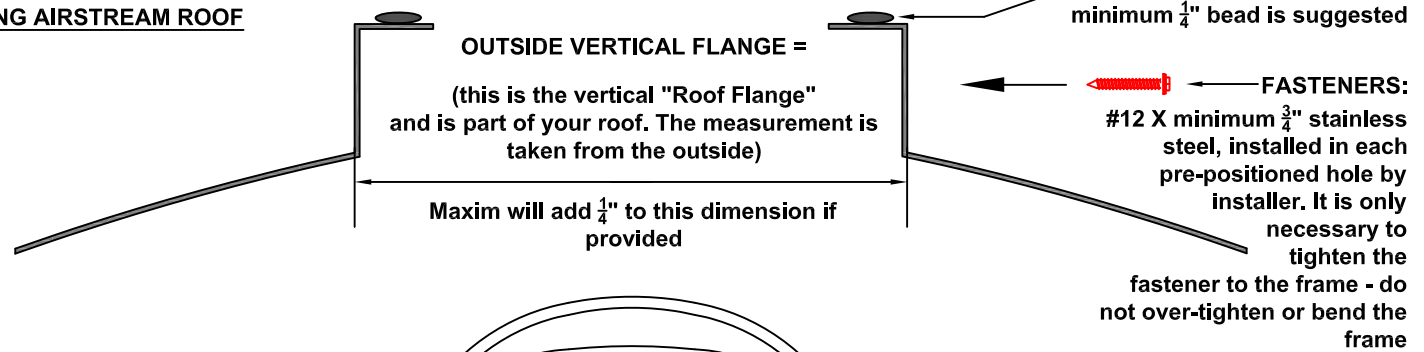
SQUARE SKYLIGHT :

RECTANGULAR SKYLIGHT :

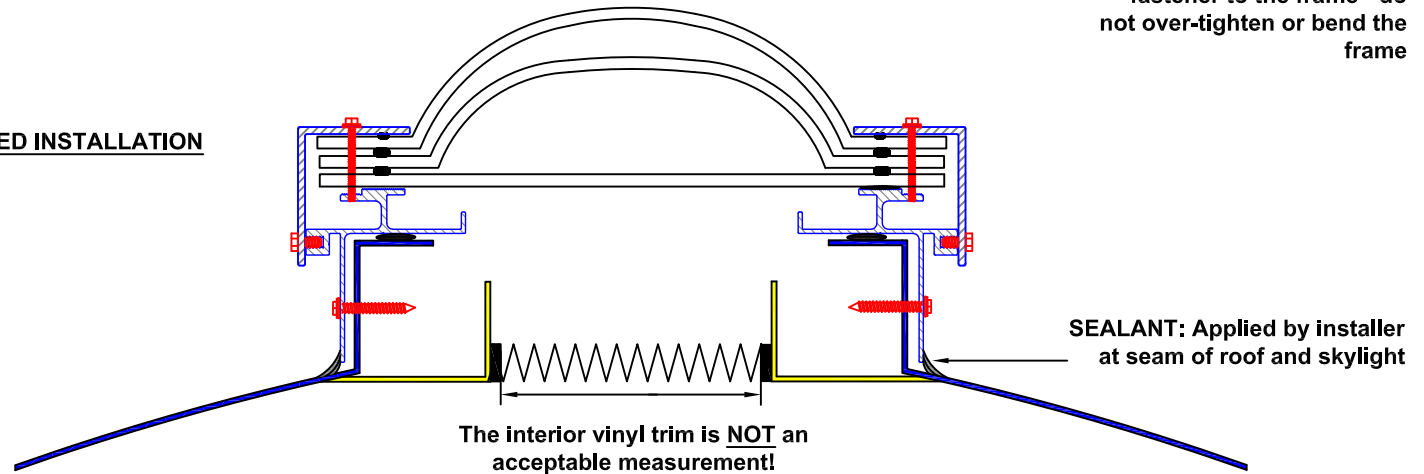
SKYLIGHT ASSEMBLY



EXISTING AIRSTREAM ROOF



FINISHED INSTALLATION



APPROVAL SIGNATURE & DATE



1630 Terre Colony Court Dallas, Texas 75214
P: 888.222.4898 P: 214.905.2021 F: 214.905.2024