

Quantity:

Inside Dimension of
Pre-Finished Skylight



PLASTIC DOME MATERIAL

(Maxim to use standard thickness plastic unless specified)

ACRYLIC

(choose for poor impact resistance)

POLYCARBONATE (UV Enhanced)

(choose for EXCELLENT impact resistance)

100% IMPACT MODIFIED ACRYLIC

(choose for EXCELLENT impact resistance & units exceeding 36sf)

DOMES TINT OPTIONS

Clear/ Bronze:

Bronze/ Clear:

Bronze/ Bronze:

White/ Clear:

Clear/ White:

OTHER:

FRAME FINISH OPTIONS

Dark Bronze Anodized:

Mill:

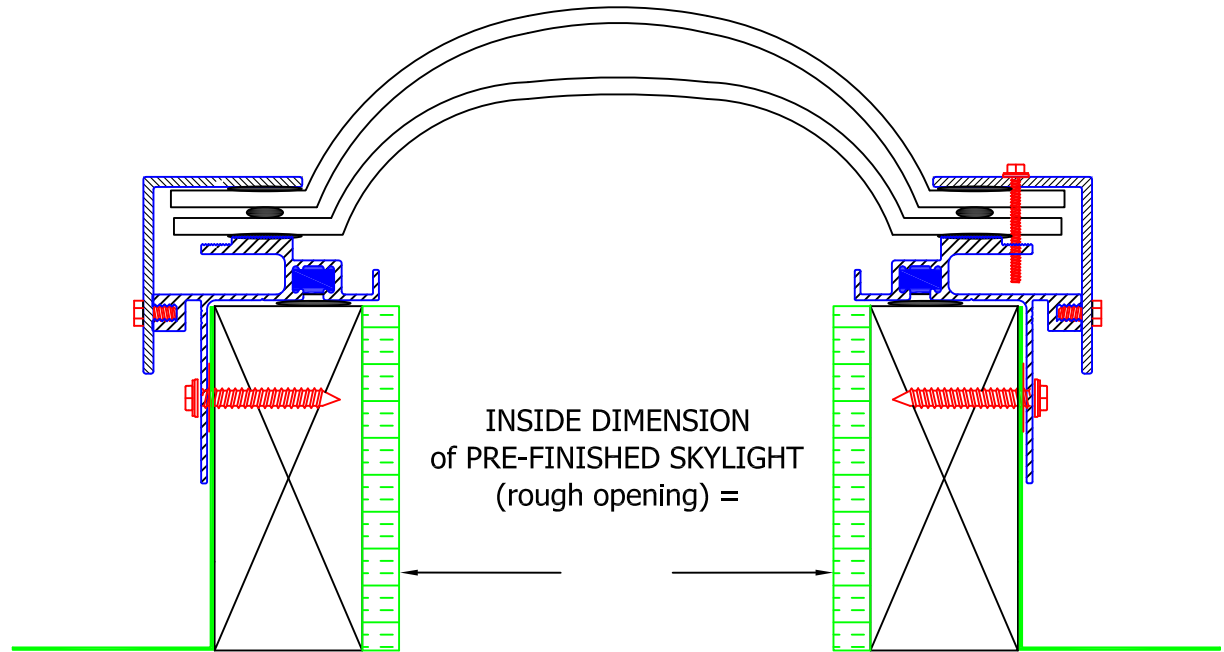
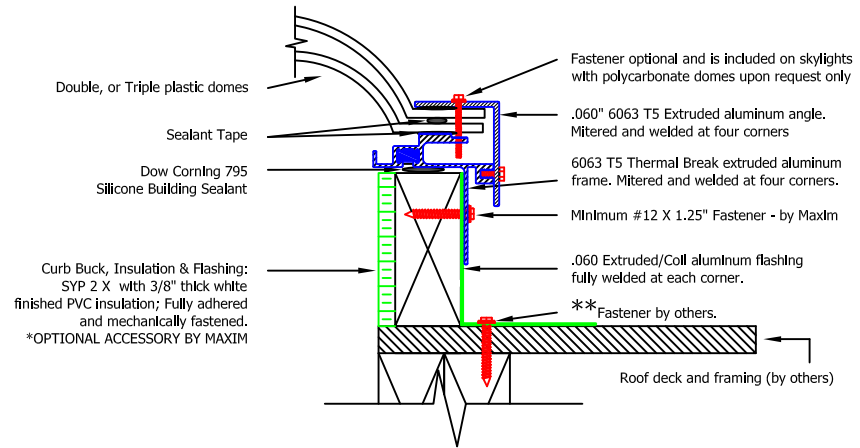
Clear Anodized:

White Powdercoat:

Custom Powdercoat:



PRE-FINISHED SELF FLASHING & PLASTIC DOMES



Approved By:

Date: