

Quantity:

Inside Dimension of
Pre-Finished Skylight



INSULATED GLASS CONFIGURATION

(Maxim to use standard thickness glass unless specified)

3.1mm 3.9mm 4.7mm 5.7mm

TEMPERED/ TEMPERED

TEMPERED/ LAMINATED PVB (8.6mm)

TEMPERED/ LAMINATED SGP (8.6mm)

DuPont SentryGlas® Interlayer Miami-Dade NOA: 11-0624.01

Other:

COATING & TINT OPTIONS (vlt%)

LoE³366/Argon (63%):

LoE³340/Argon (39%):

Bronze Tint (47%):

Gray Tint (47%):

Other:

FRAME FINISH OPTIONS

Dark Bronze Anodized:

Mill:

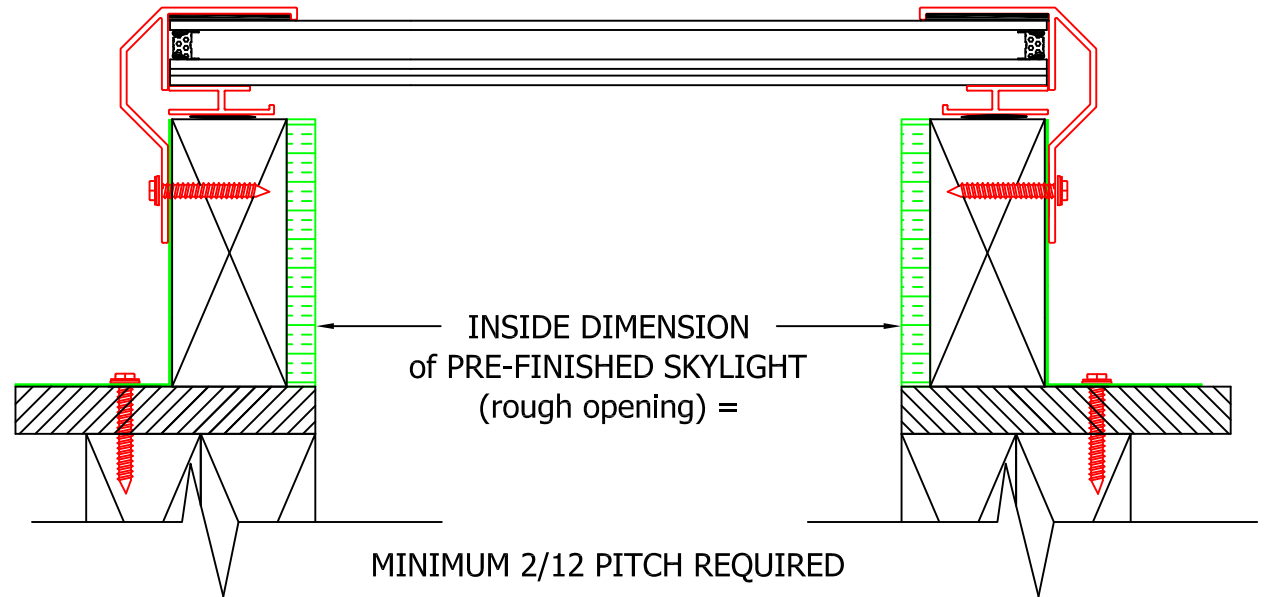
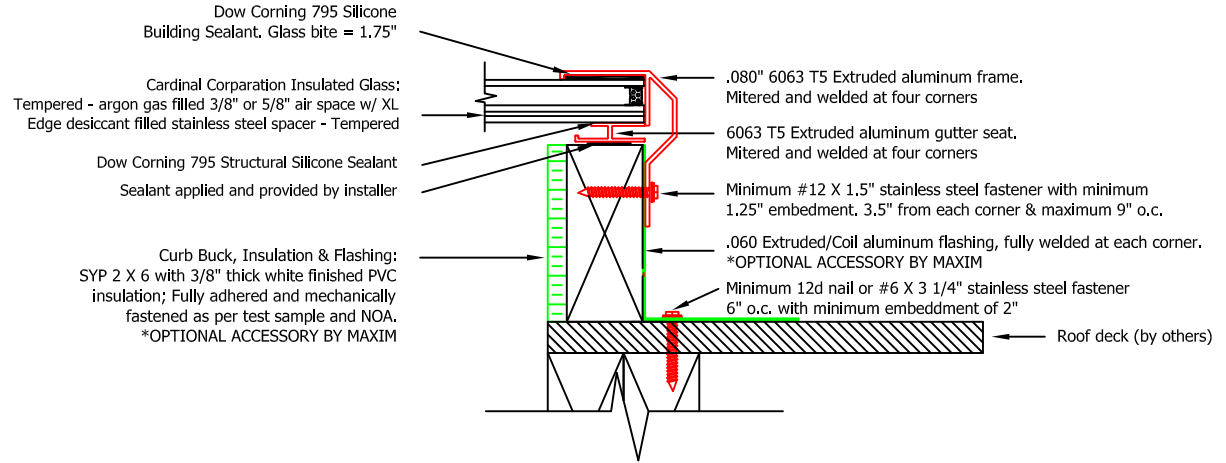
Clear Anodized:

White Powdercoat:

Custom Powdercoat:



PRE-FINISHED SELF FLASHING & INSULATED GLASS



Approved By:

Date: