

DOME TYPE

- ACRYLIC DOME(S)
- POLYCARBONATE DOME(S)
(Choose Polycarbonate for excellent impact resistance)
- DOUBLE DOMES (sealed)
- SINGLE DOME

COLOR

- CLEAR/CLEAR
- BRONZE/CLEAR
- CLEAR/WHITE
- GRAY/CLEAR
- OTHER: _____

Approx Light Transmission

	Acrylic	Polycarb
CLEAR/CLEAR	85%	74%
BRONZE/CLEAR	24%	43%
CLEAR/WHITE	47%	25%
GRAY/CLEAR	25%	43%

FRAME HEIGHT & FINISH

- 9" HEIGHT** or **12" HEIGHT**

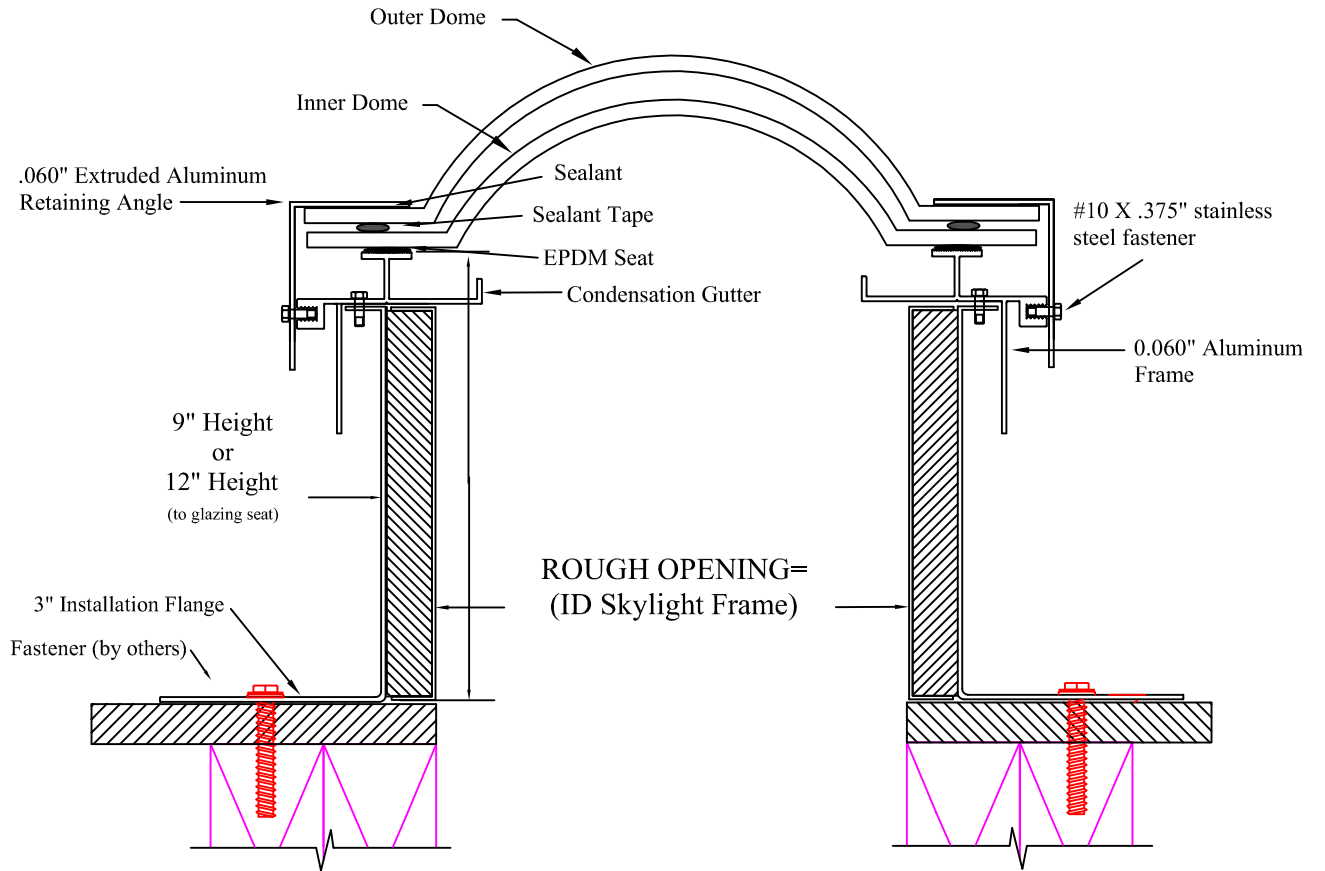
- MILL FINISH
- BRONZE ANODIZED
- CLEAR ANODIZED
- WHITE POWDER COAT
- CUSTOM COLOR POWDER COAT

QUANTITY & DIMENSIONS

QTY: **SIZE =**



9" & 12" INSULATED CURB WALL SELF FLASHING



Approved By: _____ Date: _____