

DOME TYPE

- ACRYLIC DOME(S)
- POLYCARBONATE DOME(S)
 (Choose Polycarbonate for excellent impact resistance)

SINGLE DOME

COLOR

- CLEAR
- BRONZE
- WHITE
- GRAY
- OTHER
- OTHER: CLEAR (UV enhanced)

Approx Light Transmission

	Acrylic	Polycarb
CLEAR	85%	84%
BRONZE	24%	25%
WHITE	47%	63%
GRAY	25%	43%
OTHER: CLEAR (UV enhanced)	92%	

QTY = _____

DIM. #1 = _____

DIMENSION #2 = 1.5" *

DIMENSION #3 = 5" *

DIMENSION #4 = .125" *

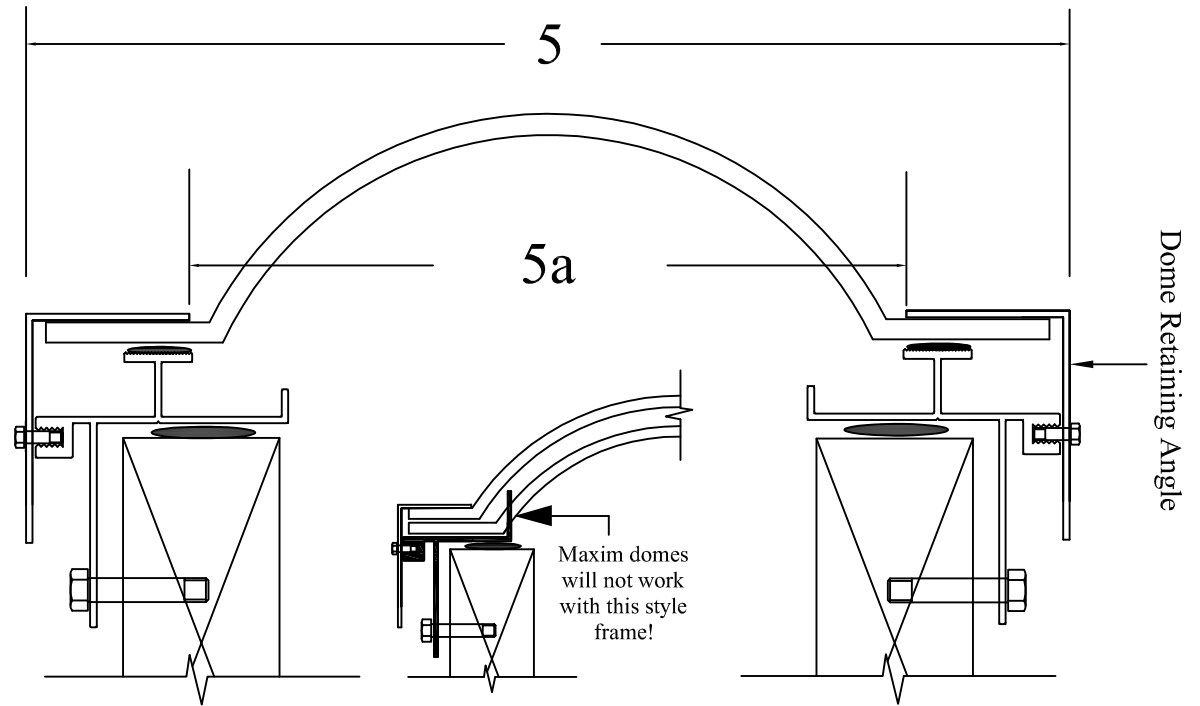
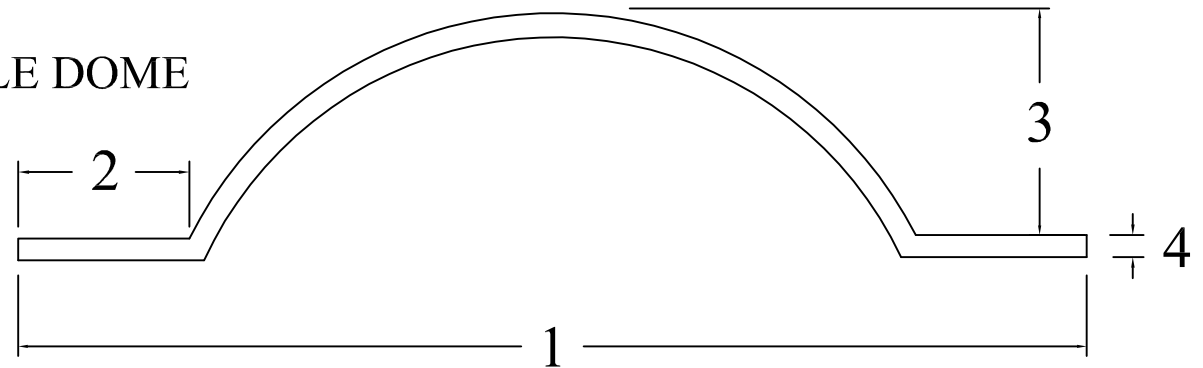
DIMENSION #5 = N/A

DIMENSION #5a = N/A

(*Maxim standard size - Field Verify!)



SINGLE DOME



Approved By: _____ Date: _____