

DOME TYPE

- ACRYLIC DOME(S)
 POLYCARBONATE DOME(S)
 (Choose Polycarbonate for excellent impact resistance)

DOUBLE DOME

COLOR

- CLEAR/CLEAR
 BRONZE/CLEAR
 WHITE/CLEAR
 GRAY/CLEAR
 OTHER
 OTHER: CLEAR (UV enhanced)

Approx Light Transmission

	Acrylic	Polycarb
CLEAR/CLEAR	85%	84%
BRONZE/CLEAR	24%	25%
WHITE/CLEAR	47%	63%
GRAY/CLEAR	25%	43%
OTHER		
OTHER: CLEAR (UV enhanced)	92%	

QTY =

DIM. #1 =

DIMENSION #2 = 1.5" *

DIMENSION #3 = 5" *

DIMENSION #4 = .125" *

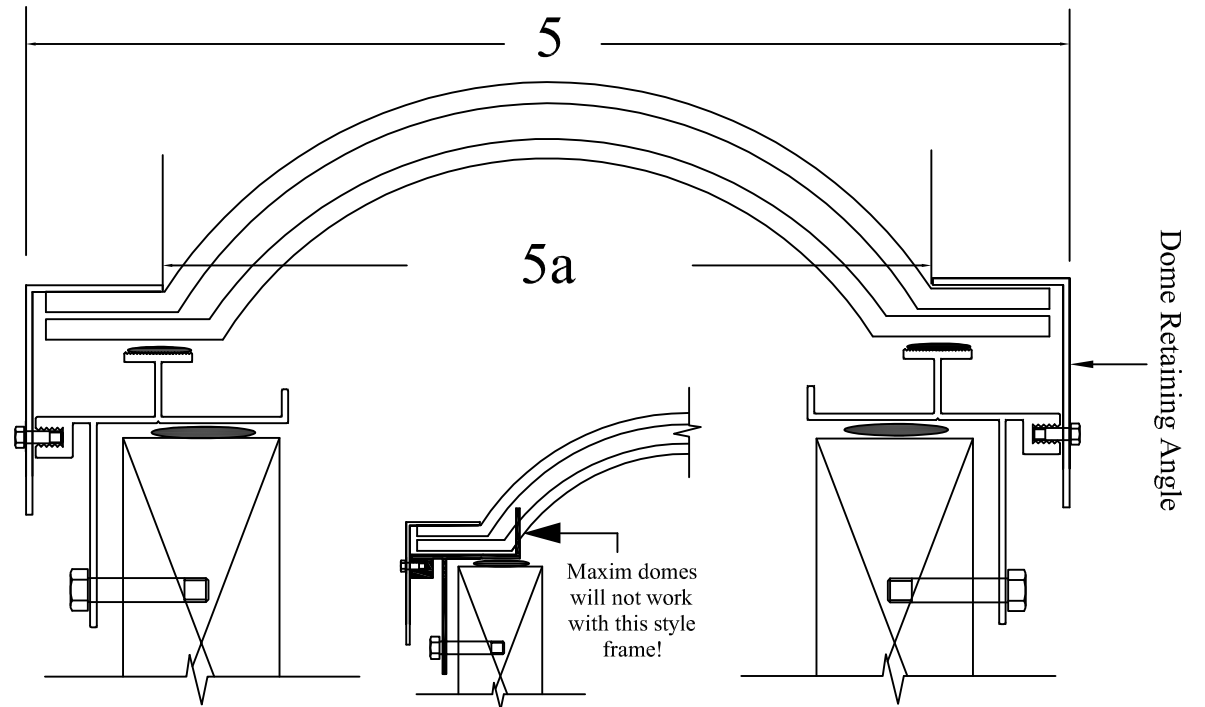
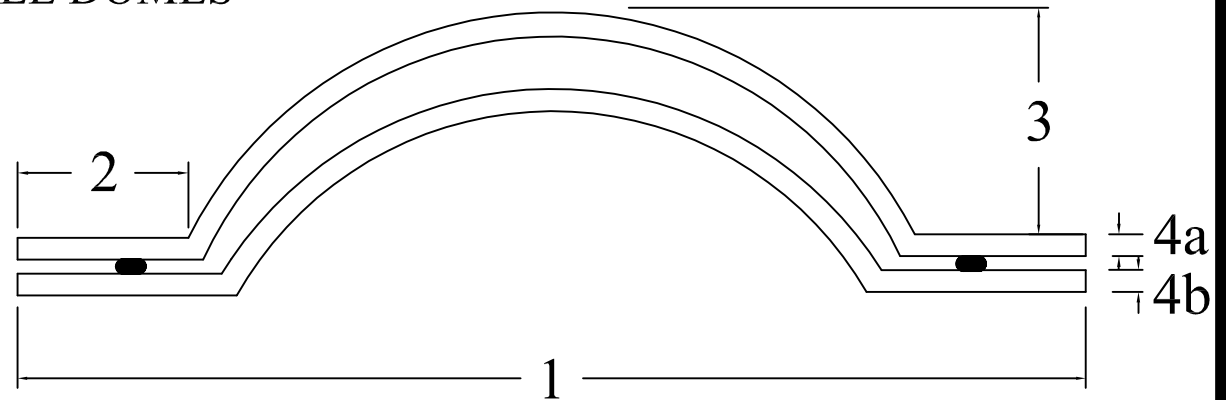
DIMENSION #5 =

DIMENSION #5a =

(*Maxim standard size - Field Verify!)



DOUBLE DOMES



Approved By: _____ Date: _____