

GLAZING

ACRYLIC DOME(S) N/A
 POLYCARBONATE DOME(S)

GLAZING COLOR

DOUBLE DOME Approx Light Transmission

CLEAR/CLEAR 84%

CLEAR/BRONZE 25%

BRONZE/BRONZE 7%

CLEAR/WHITE 62%

WHITE/WHITE 36%

OTHER _____

FRAME FINISH

MILL FINISH

BRONZE ANODIZED

CLEAR ANODIZED

WHITE POWDER COAT

CUSTOM POWDER COAT

SKYLIGHT DIMENSION

EXISTING CURB DIM OR

ID SKYLIGHT FRAME DIM

QTY = _____

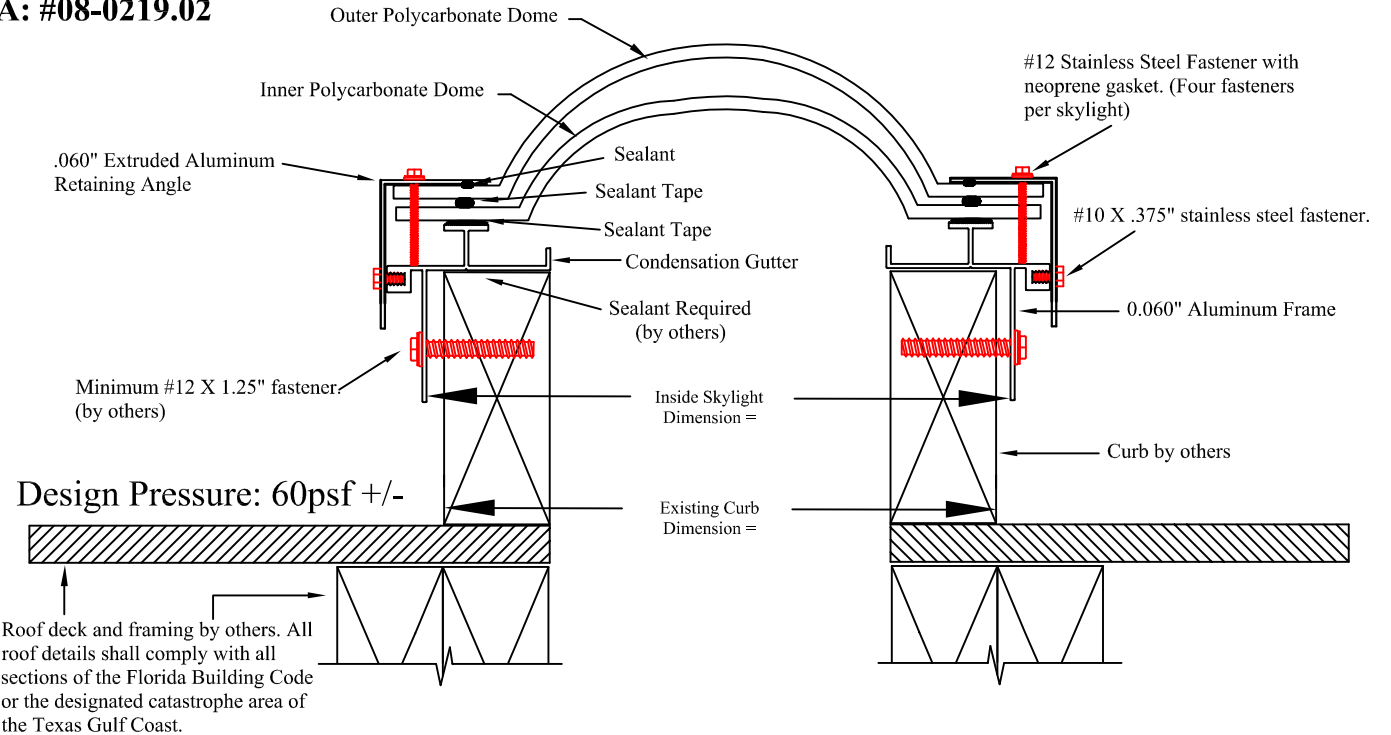
SIZE = _____

MIAMI-DADE
 NOA: #08-0219.02

**FBC APPROVED
 FL 2418**

**TDI Approved:
 Report SK-13**

**NAMI CERTIFIED:
 Report #NI009198A**



Tested and conforming to AAMA/WDMA/CSA 101/I.S.2/A440-05

Approved By: _____

Date: _____



1630 Terre Colony Court Dallas, Texas 75214
 P: 888.222.4898 P: 214.905.2021 F: 214.905.2024

SPECIFICATIONS		
TEST PROTOCOL	TEST METHOD	ALLOWED
IMPACT RESISTANCE TAS 201-94	LARGE & SMALL MISSILE	PASS
STATIC AIR PRESSURE TAS 202-94	TEST PRESSURE +180/-120 psf	DESIGN LOAD = 60psf
CYCLIC WIND PRESSURE TAS 203-94	POSITIVE 60.0 PSF NEGATIVE 60.0 PSF	PASS PASS